

THIS DRAWING IS UNPUBLISHED.

RELEASED FOR PUBLICATION

© COPYRIGHT - By -

ALL RIGHTS RESERVED.

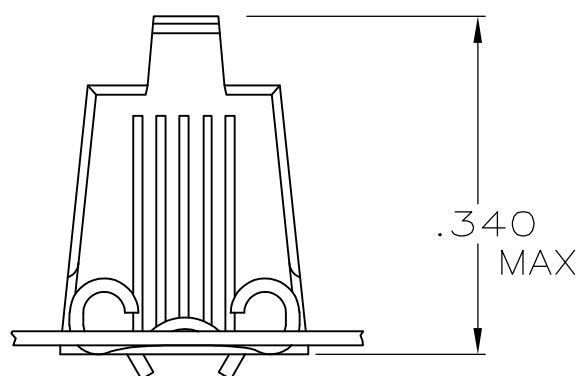
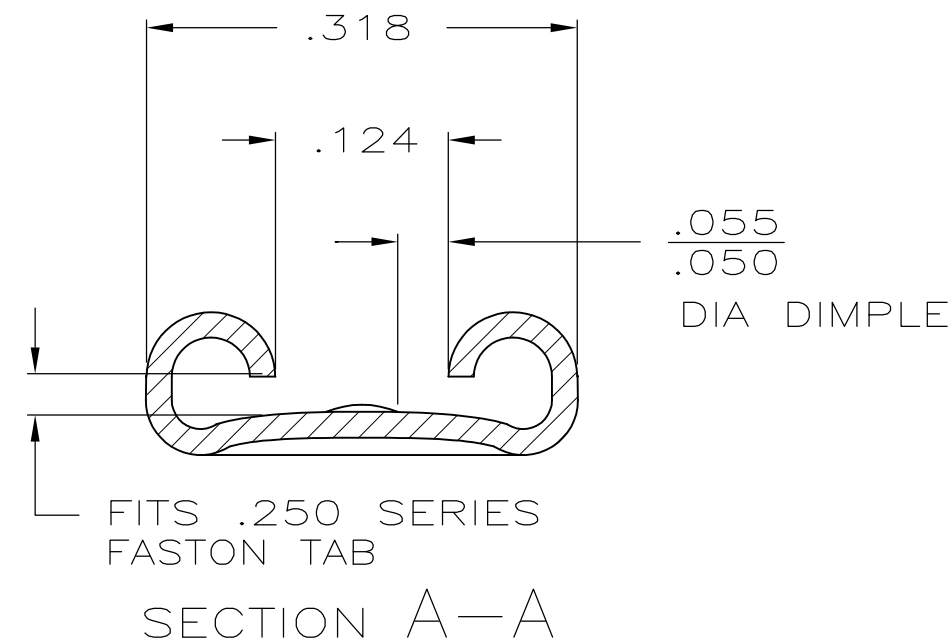
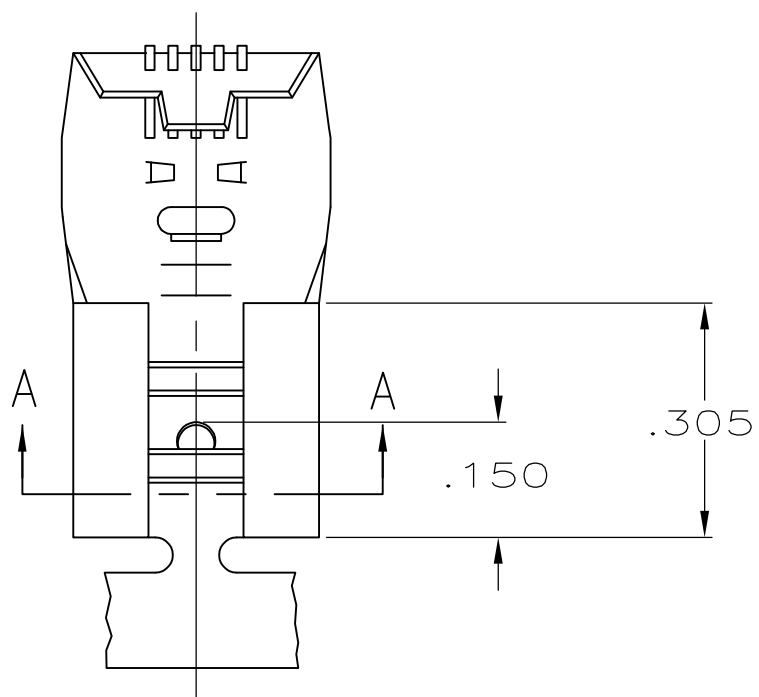
LOC
AF

DIST
50


REVISIONS

P	LTR	DESCRIPTION	DATE	DWN	APVD
	L1	REVISED PER ECO-14-013052	22AUG2014	NK	DC

1 CONTINUOUS STRIP ON REELS.



	18-12	.032±.001	TIN	BRASS	62021-3
OBSOLETE	18-12	.032±.001		.018 BRASS	62021-2
OBSOLETE	18-12	.032±.001	SILVER	.018 PHOS. BRONZE	62021-1
	WIRE SIZE	TAB THK	FINISH	MATERIAL	PART NO

THIS DRAWING IS A CONTROLLED DOCUMENT.		DWN JR RUTH 2/3/86	 TE Connectivity NAME .250 SERIES FLAG FASTON RECEPTACLE											
DIMENSIONS: INCHES		CHK M FEHER 2/6/86												
TOLERANCES UNLESS OTHERWISE SPECIFIED:		APVD C MEYERS 2/7/86												
<table border="1"> <tr><td>0 PLC</td><td>± -</td></tr> <tr><td>1 PLC</td><td>± -</td></tr> <tr><td>2 PLC</td><td>± -</td></tr> <tr><td>3 PLC</td><td>± .015</td></tr> <tr><td>4 PLC</td><td>± -</td></tr> <tr><td>ANGLES</td><td>± -</td></tr> </table>		0 PLC				± -	1 PLC	± -	2 PLC	± -	3 PLC	± .015	4 PLC	± -
0 PLC	± -													
1 PLC	± -													
2 PLC	± -													
3 PLC	± .015													
4 PLC	± -													
ANGLES	± -													
MATERIAL SEE TABLE	FINISH SEE TABLE	APPLICATION SPEC -	SIZE A3	CAGE CODE 00779	DRAWING NO C-62021	RESTRICTED TO -								
CUSTOMER DRAWING			SCALE NTS	SHEET 1 OF 1	REV L1									